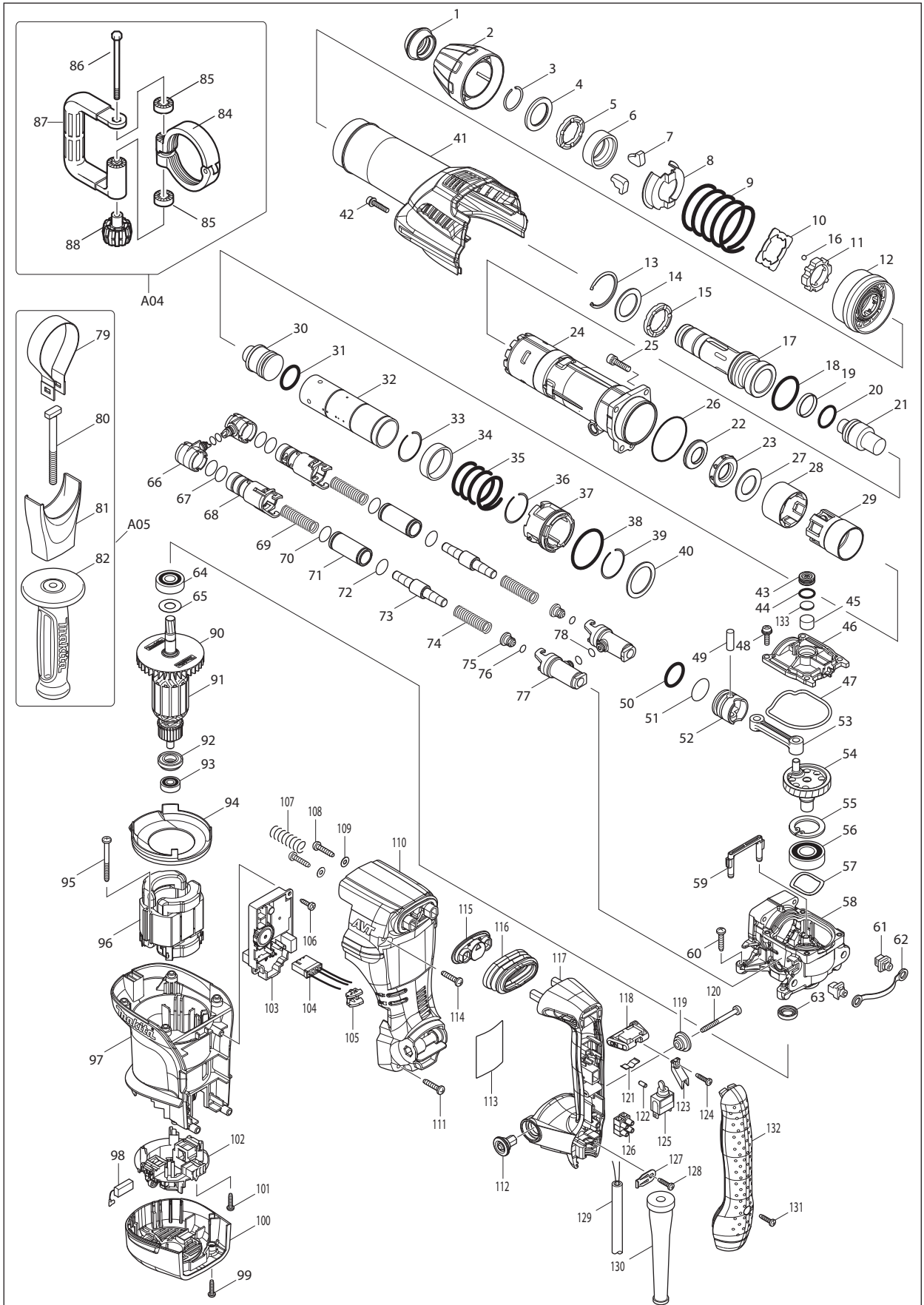




09 - 2009
HM0871C
12.4LBS DEMOLITION HAMMER, SDS-MAX



PARTS LIST

Item No	Type	Part No	Description	Qty	Unit
001		286287-0	TOOL HOLDER CAP	1	PC.
002		451432-8	CHUCK COVER	1	PC.
003		231984-3	RING SPRING 25	1	PC.
004		267272-2	FLAT WASHER 28	1	PC.
005		424261-2	RUBBER RING 28	1	PC.
006		331659-5	CHUCK RING	1	PC.
007		310108-5	TOOL RETAINER	2	PC.
008	2	346677-0	SPRING GUIDE	1	PC.
009		233387-7	COMPRESSION SPRING 52	1	PC.
010		346141-1	PLATE	1	PC.
011		310145-9	LOCK RING	1	PC.
012		451433-6	CHANGE RING	1	PC.
013		257960-9	RETAINING RING(INT) ROUND R-42	1	PC.
014		267273-0	FLAT WASHER 29	1	PC.
015		424261-2	RUBBER RING 28	1	PC.
016		216002-8	STEEL BALL 4.8	4	PC.
017		324387-9	TOOL HOLDER	1	PC.
018		213527-3	O RING 38	1	PC.
019		213431-6	FLUORIDE RING 28	1	PC.
020		213394-6	O RING 23	1	PC.
021		324389-5	IMPACT BOLT	1	PC.
022		325732-1	RING 20	1	PC.
023		424245-0	RUBBER RING 20	1	PC.
024		318511-4	BARREL	1	PC.
025		922341-3	HEX. SOCKET HEAD BOLT M6X25	4	PC.
026		213656-2	O RING 53	1	PC.
027		267407-5	FLAT WASHER 23	1	PC.
028		451639-6	GUIDE RING	1	PC.
029		450098-1	SLIDE SLEEVE	1	PC.
030		324388-7	STRIKER	1	PC.
031		213958-6	O RING 24	1	PC.
032		331658-7	CYLINDER 32	1	PC.
033		233927-1	RING SPRING 34	1	PC.
034		331660-0	RING 36	1	PC.
035		233386-9	COMPRESSION SPRING 37	1	PC.
036		233927-1	RING SPRING 34	1	PC.
037		318510-6	CYLINDER GUIDE	1	PC.
038		213611-4	O RING 46	1	PC.

Item No	Type	Part No	Description	Qty	Unit
039		233927-1	RING SPRING 34	1	PC.
040		267079-6	FLAT WASHER 34	1	PC.
041		451443-3	HOUSING COVER	1	PC.
042		922243-3	HEX. SOCKET HEAD BOLT M5X25	1	PC.
043		419988-7	FILTER CAP	1	PC.
044	2	213A05-9	O RING 16	1	PC.
045		443129-3	FILTER	1	PC.
046		451434-4	CRANK CAP	1	PC.
047		424244-2	SEAL RING	1	PC.
048		911233-1	PAN HEAD SCREW M5X20	4	PC.
049		268104-6	PIN 8	1	PC.
050		213958-6	O RING 24	1	PC.
051		213432-4	O RING 26	1	PC.
052		418349-8	PISTON	1	PC.
053		418350-3	CONNECTING ROD	1	PC.
054		325734-7	CRANK SHAFT 17.5	1	PC.
055		962157-4	RETAINING RING R-40	1	PC.
056	2	211490-4	BALL BEARING 6203LLU	1	PC.
057		267825-7	WAVE WASHER 30	1	PC.
058		140204-3	CRANK HOUSING COMPLETE	1	PC.
059		451429-7	AIR PIPE	1	PC.
060		266041-8	TAPPING SCREW 5X25	4	PC.
061		419008-7	FIX GUIDE	2	PC.
062		423400-1	CUSHION PLATE	1	PC.
063	2	213678-2	OIL SEAL 12	1	PC.
064		211106-1	BALL BEARING 6201LLB	1	PC.
065		253759-0	FLAT WASHER 12	1	PC.
066	2	455791-2	PIPE HOLDER SUPPORT	2	PC.
067		213275-4	O RING 18	4	PC.
068		451436-0	PIPE HOLDER B	2	PC.
069		234134-9	COMPRESSION SPRING 12	2	PC.
070		213275-4	O RING 18	2	PC.
071		324572-4	PIPE 16	2	PC.
072		213275-4	O RING 18	2	PC.
073		325733-9	COUNTER WEIGHT	2	PC.
074		234134-9	COMPRESSION SPRING 12	2	PC.
075		419011-8	SPRING GUIDE	2	PC.
076		213030-4	O RING 8	2	PC.
077		451435-2	PIPE HOLDER A	2	PC.

Item No	Type	Part No	Description	Qty	Unit
078		213030-4	O RING 8	4	PC.
079		346140-3	GRIP SPRING 70	1	PC.
080		266522-2	SQUARE BOLT M8X95	1	PC.
081		418363-4	SIDE GRIP BASE 60	1	PC.
082		158131-0	GRIP 36 COMPLETE	1	PC.
090		240119-5	FAN 76	1	PC.
091		513791-9	ARMATURE ASSEMBLY 115V	1	PC.
091	INC.	*****	Item No. 90,92,93	1	PC.
092		681650-6	INSULATION WASHER	1	PC.
093		210005-4	BALL BEARING 608DDW	1	PC.
094		451438-6	BAFFLE PLATE	1	PC.
095		266095-5	TAPPING SCREW 5X55	2	PC.
096		625756-0	FIELD 115V	1	PC.
097		451423-9	MOTOR HOUSING	1	PC.
098	2	197244-2	CARBON BRUSH CB-351 2PC/SET W/ORIGIN	1	SET
099		265995-6	TAPPING SCREW 4X18	2	PC.
100		451442-5	REAR COVER	1	PC.
101		265995-6	TAPPING SCREW 4X18	4	PC.
102		638674-3	BRUSH HOLDER UNIT	1	PC.
103		631931-8	CONTROLLER	1	PC.
104		638675-1	LEAD UNIT	1	PC.
105		451428-9	LENS	1	PC.
106	2	266901-4	* TAPPING SCREW 4X14	2	PC.
107		233434-4	COMPRESSION SPRING 11	1	PC.
108		266041-8	TAPPING SCREW 5X25	2	PC.
109		267066-5	FLAT WASHER 5	2	PC.
110		451447-5	HANDLE BASE	1	PC.
111		266041-8	TAPPING SCREW 5X25	2	PC.
112		451431-0	HANDLE RETAINER	1	PC.
113	2	814H67-8	HM0871C NAME PLATE	1	PC.
114		266041-8	TAPPING SCREW 5X25	2	PC.
115		451437-8	DUST COVER SUPPORT	1	PC.
116		424247-6	DUST COVER	1	PC.
117		140205-1	HANDLE COMPLETE	1	PC.
118		451439-4	SLIDE LEVER	1	PC.
119		450352-3	SHOULDER SLEEVE 6	1	PC.
120		266095-5	TAPPING SCREW 5X55	1	PC.
121		232209-8	LEAF SPRING	1	PC.
122		263027-3	RUBBER PIN 4	1	PC.

Item No	Type	Part No	Description	Qty	Unit
123		451427-1	SWITCH LEVER	1	PC.
124		265995-6	TAPPING SCREW 4X18	1	PC.
125		651418-4	SWITCH ST115A-40, SINGLE	1	PC.
126	2	654741-6	TERMINAL BLOCK	1	PC.
127		687169-3	STRAIN RELIEF	1	PC.
128		265995-6	TAPPING SCREW 4X18	1	PC.
129		664276-9	CORD W/PLUG 2P-16-5.0M, SJ	1	PC.
130		682560-0	CORD GUARD 10	1	PC.
131		265995-6	TAPPING SCREW 4X18	1	PC.
132		451445-9	HANDLE COVER	1	PC.
133		423411-6	RUBBER PLATE	1	PC.
A01		194683-7	GREASE VESSEL SET, 100CC, PUMP TYPE, FOR BIT	1	PC.
A02		443122-7	CLOTH	1	PC.
A03		824904-0	PLASTIC CARRYING CASE	1	PC.
A03	INC.	325809-2	SHAFT	1	PC.
A03	INC.	450990-1	HANDLE	1	PC.
A03	INC.	162271-8	LATCH	2	PC.
A04		134909-5	SIDE HANDLE ASS'Y (D-Shape)	1	PC.
A04	INC.	252640-2	WING NUT M8	1	PC.
A04	INC.	417002-3	SIDE HANDLE CAM	2	PC.
A04	INC.	417003-1	SIDE HANDLE	1	PC.
A04	INC.	265439-6	HEX. BOLT M8X150	1	PC.
A04	INC.	152620-7	SIDE HANDLE BASE 60 COMPLETE	1	PC.
A05		135332-7	GRIP 36 ASSEMBLY (Straight)	1	PC.
A05	INC.		Item No. 79 - 82	1	PC.
A06		195113-1	HAMMER SERVICE KIT	1	SET
A06	INC.	213394-6	O RING 23	1	PC.
A06	INC.	310108-5	TOOL RETAINER	2	PC.
A06	INC.	286287-0	TOOL HOLDER CAP	1	PC.
A06	INC.	A-90582	HAMMER GREASE 30G, 1OZ	1	PC.
A06	INC.	231984-3	RING SPRING 25	1	PC.
A06	INC.	213958-6	O RING 24	2	PC.
A06	INC.	213431-6	FLUORIDE RING 28	1	PC.
A06	INC.	197244-2	CARBON BRUSH CB-351 2PC/SET W/ORIGIN	1	PC.
A06	INC.	213432-4	O RING 26	1	PC.
A07		----	BULL POINT, COLD CHISEL, SCALING CHISEL, GROOVING CHISEL,	1	PC.
E03		801G22-3	CLEAR LABEL	1	PC.
F06		199017-9	DUST EXTRACTOR ATTACHMENT	1	PC.
F09	2	199019-5	DUST EXTRACTOR ATTACHMENT SET	1	PC.

Item No	Type	Part No	Description	Qty	Unit
F09	2	INC. 195547-8	FRONT CUFF 22	1	PC.
F09	2	INC. 195545-2	FRONT CUFF 38 PKG (BULK# 417766-9)	1	PC.
F09	2	INC. 142350-8	HOSE COMPLETE 28 - 1.5	1	PC.
F09	2	INC. 415021-3	HOSE JOINT	1	PC.
F09	2	INC. 454749-8	HOSE HOLDER A	1	PC.
F09	2	INC. 454750-3	HOSE HOLDER B	1	PC.
F09	2	INC. 454809-6	HOSE HOLDER C	1	PC.

SERVICE CHANGES: HM0871C

1. Changes on Tapping Screws

(TI#A2782)

Item No.	Description	Type 1	Type 2
106	TAPPING SCREW 4X14	266192-7	266901-4

Type 1

Type 2

Tapping screw 4X14 (266192-7) 	Tapping screw 4X14 (266901-4) 
--	--

2. Changes on Oil seal 12

(TI#A7977)

Item No.	Description	Type 1	Type 2
63	Oil Seal 12	213133-4	213678-2

